

Aqua Plus

Filter pump



Aqua Plus - 4

FEATURES

Self-priming pump

Prefilter equipped with a transparent lid and drain plug

Prefilter and pump casing made of talc-filled polypropylene, entirely immune to corrosion

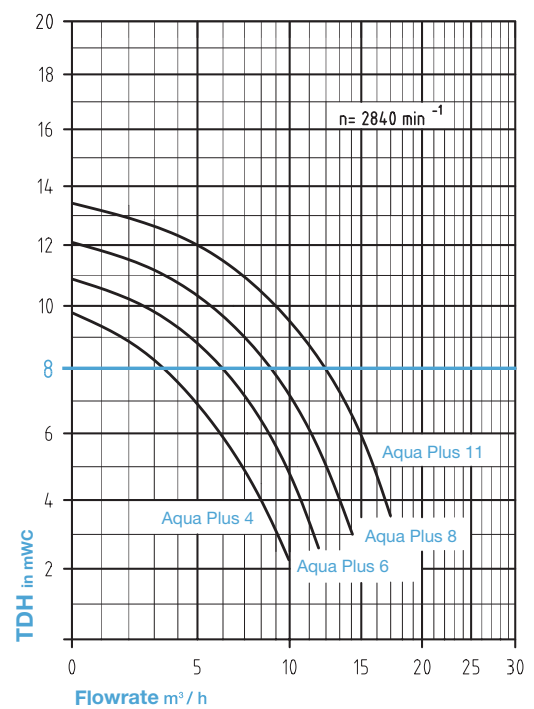
The mechanical components, including the motor axle, are completely isolated from the pool water

Compatible with pools treated by salt electrolysis (max salt concentration, 0.7%)

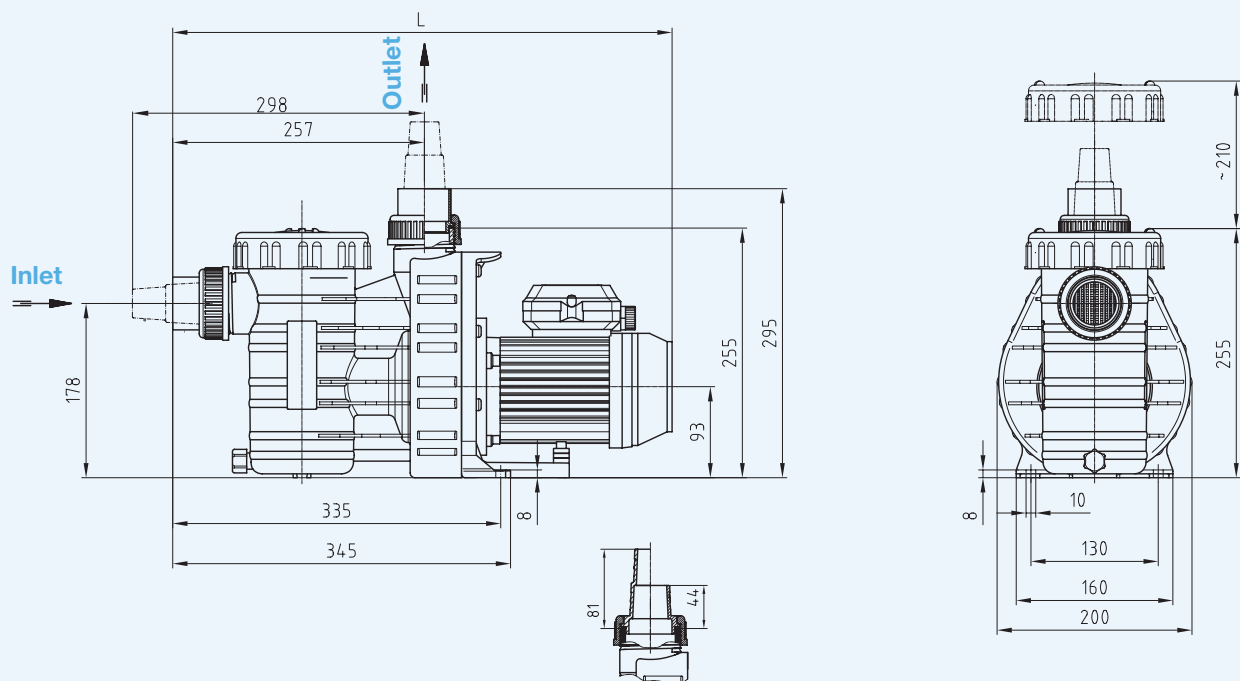
Delivered with 2 smooth unions (50 mm) and two barbed unions (32/38 mm)

Comes with an electrical cable (length 1.5 m), fitted with a plug

PERFORMANCE CURVE



Aqua Plus



AQUA PLUS	4	6	8	11
Length	496	496	511	511

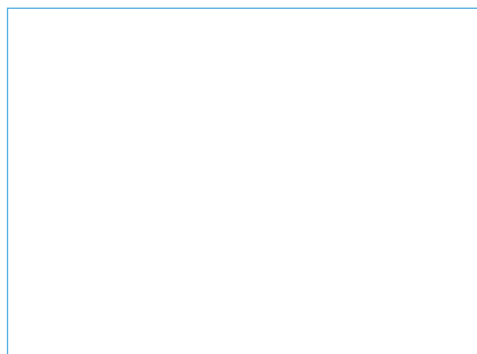


TECHNICAL DATA:

		AQUA PLUS 4	AQUA PLUS 6	AQUA PLUS 8	AQUA PLUS 11
Flow rate 8 mWC (m3/h)		4	6	8	11
Power	P1 (kW)*	0.35	0.45	0.60	0.69
	P2 (kW)**	0.18	0.25	0.40	0.45
Electrical supply (V) - 50Hz		230	230	230	230
Current (A)		1.95	2.30	2.70	3.20
Weight (Kg)		6.30	6.60	7.50	7.60

* P1 indicates the total power consumed by the pump
 ** P2 indicates the power available at the motor shaft

Dealer's stamp:



Non-contractual document. Data is provided for information purposes only and may be subject to modification without prior notification. Copyright protected. Do not litter. Created by: Groupe PROCOPI (10/2008c)